

# V-Sup

A safe pipe support for line pipes to be used  
“The right way on the right-of-way”

Iploca entry HSE award 2018

**SHAWCOR**  
**Shawcor Pipeline Performance Products BV**  
**Delleartweg 9-E**  
**2316 WZ Leiden**  
**The Netherlands**

**Martijn Bayens**, Engineering Manager (Dhatec)  
[Martijn.Bayens@Dhatec.nl](mailto:Martijn.Bayens@Dhatec.nl)

# Shawcor presents: V-Sup



[watch our video](#)

# V-Sup Pipe Support

- Pipe Support to increase safety during pipeline construction
- Providing a stable and secured support
- Supports pipelines up to 80" OD
- Max. 12Ton Dynamic load and 16Ton Static load (per support)



# Solutions

## Benefits Recap

### Enhanced Safety:

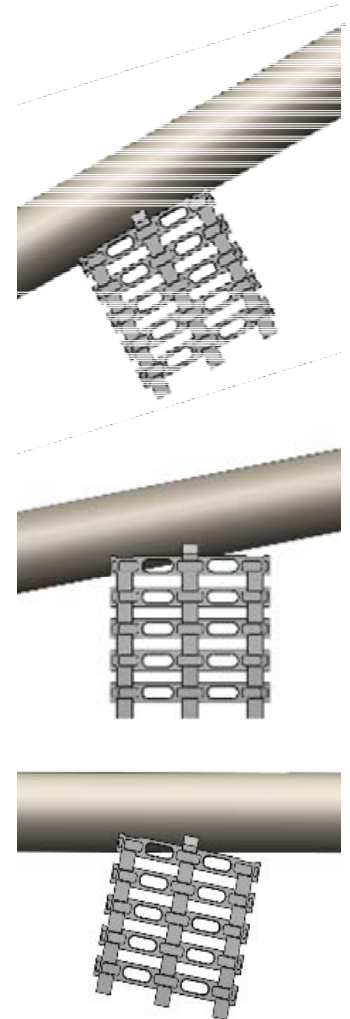
- ✓ V-Sup has a light weight design, easy to handle
- ✓ Interlocking system – Optimized design
- ✓ The beams will rather bend then break
- ✓ The system can be used up to a 25° Slope

### Quality:

- ✓ Constant material
- ✓ LDPE material prevents damage to coating and pipe.
- ✓ Application can be done between - 35°C up to 45°C.

### Cost effective:

- ✓ Long term durability & reusability
- ✓ Pay for use only (Rental possibilities) → less waste







## V-Sup

A safe pipe support for line pipes to be used  
“The right way on the right-of-way”