

# SAFETY Alert



**PREPARED BY: Corporate QHSE Dept.**

N° 04/2018 Date: April 2018

**OBJECT: PIPE FALLING DURING STRINGING**

## DESCRIPTION

During stringing activities, a sideboom was used for offloading 20" pipes - 12m length - from trailer trucks and then for transferring the pipes directly to the RoW. Lifting operations were performed using two 6m-8T slings, 2 shackles and 2 pipe hooks. After the offload of the second trailer, the sideboom started to move toward the RoW. The pipe then started swinging and after approx. 20 m from offloading area, one of the two slings came out from the sideboom hook (the sling pushed the safety latch) causing the falling of the 20" pipe on the ground. There were 2 riggers controlling the pipe using taglines.

## CONSEQUENCES

- No one injured;
- No asset damage except the hook safety latch;
- Minor pipe damages to the coating.

## CAUSES

- Improper lifting accessories: using two short slings the angle between the slings was 155°. Due to the stress caused by the 155° angle and the swinging of the pipe the sling came out of the hook.
- Improper equipment provided: the sideboom used for the lifting was equipped with a 7m boom;
- Lack of supervision and planning: site supervisor failed to control and plan the activity and to assess the risks associated with offloading/Stringing pipes using side-boom.
- Required permit not obtained: no specific permit for offloading obtained; also, lifting checklist/plan was not prepared to calculate lifting angles and suitable lifting accessories.

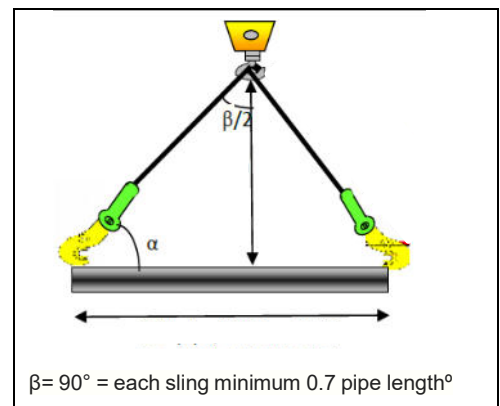
## CORRECTIVE ACTIONS

### Measures adopted in order to prevent the recurrence of a similar incident:

- ✓ For pipe and material handling and lifting, only suitable lifting accessories and equipment must be used. For lifting performed with multiple slings, consider always the internal angle between 2 slings that never shall exceed the  $90^\circ$  ( $\beta$ ) = each sling minimum 0.7 the length of the pipe;
- ✓ Competent person prior the starting of any lifting activity shall properly fill the lifting checklist/plan;
- ✓ Specific training sessions to be organized in order to increase the knowledge of supervisor, operators, and riggers about correct lifting operation;
- ✓ Emission of a safety alert shared with the entire workforce.



Above the pipe fell down and the damaged hook safety latch.



## RECEPTION BY THE PROJECT

WHICH ACTIONS IDENTIFIED TO BE IMPLEMENTED IN THE PROJECT:

Project Manager:

Signature:

HSE Project Manager:

Signature: