

V-Sup

A safe pipe support for line pipes to be used
“The right way on the right-of-way”

Iploca entry HSE award 2018

SHAWCOR
Shawcor Pipeline Performance Products BV
Delleartweg 9-E
2316 WZ Leiden
The Netherlands

Martijn Bayens, Engineering Manager (Dhatec)

Martijn.Bayens@Dhatec.nl

Shawcor presents: V-Sup



[watch our video](#)

V-Sup Pipe Support

- Pipe Support to increase safety during pipeline construction
- Providing a stable and secured support
- Supports pipelines up to 80" OD
- Max. 12Ton Dynamic load and 16Ton Static load (per support)



Solutions

Benefits Recap

Enhanced Safety:

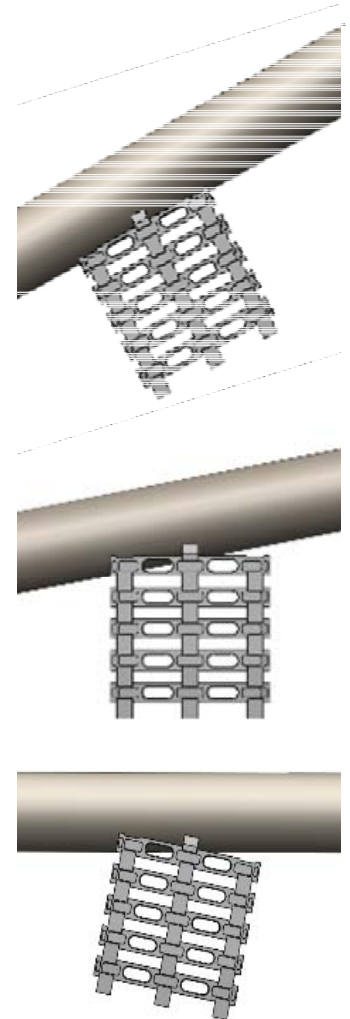
- ✓ V-Sup has a light weight design, easy to handle
- ✓ Interlocking system – Optimized design
- ✓ The beams will rather bend then break
- ✓ The system can be used up to a 25° Slope

Quality:

- ✓ Constant material
- ✓ LDPE material prevents damage to coating and pipe.
- ✓ Application can be done between - 35°C up to 45°C.

Cost effective:

- ✓ Long term durability & reusability
- ✓ Pay for use only (Rental possibilities) → less waste





V-Sup

A safe pipe support for line pipes to be used
“The right way on the right-of-way”