



WORLDWIDE EPC SOLUTIONS FOR OIL & GAS SINCE 1962



IPLOCA

2024

Health & Safety Award

Safe prompter trapdoor
for welding tents

Safe Prompter Trapdoor for Welding Tents

FINDINGS

Working at height –**W@H** - presents numerous risks that can result in **serious injuries or even fatalities**.

From construction sites to maintenance tasks, individuals operating at elevated levels **face dangers** that require constant attention and precautionary measures.

Understanding the potential **hazards** and **taking appropriate safety measures** are essential for safeguarding workers and preventing accidents.

!!!Let's always delve into the inherent risks of W@H and the critical factors that demand our unwavering attention, also and above all activities considered minor or ancillary!!!



**Danger
Risk of
falling**

UTMOST ATTENTION: W@H & welding activities



Leonardo Gravina - Sicim GM -

Utmost attention for W@H related to welding activities was called by Sicim General Manager after observing, during a top management walkaround, an employee working and walking on the top of a welding tent.

Focus was given to **understand if and why** this activity must be performed and to **find a safe and smart solution** in order to not expose any workers to risks of falling from height during welding operations.

Safe Prompter Trapdoor for Welding Tents

FINDINGS

“Why a worker needs to stand on the top of the welding tent?”

1. Attach/detach the welding tent to/from the hook of the crane of the Pay-Welder for transport and handling, for:
 - Mobilization of the crew to site;
 - Transport of the pay-welder and the welding tent from one location to another during a move around;
 - Demobilization of the crew;
2. Welding tent assembly / disassembly;
3. Welding cables maintenance;
4. Gas hoses installation and maintenance;
5. Crane and/or hook inspection & maintenance.

...These are typical underrated **ancillary activities** not always well supervised and assessed, which however require attention as they are carried out many, many times during a project life!!!



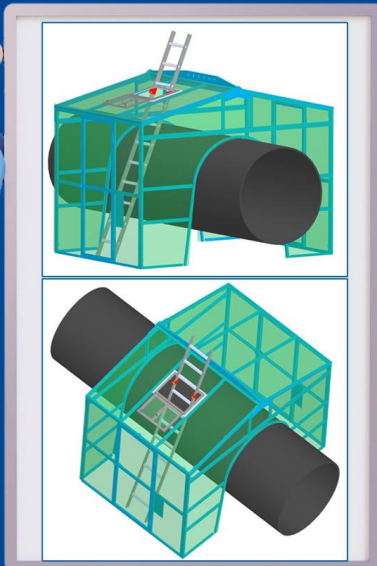
Safe Prompter Trapdoor for Welding Tents

SOLUTION

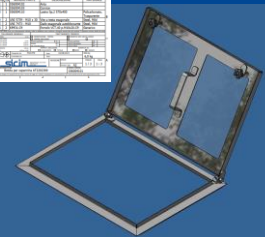
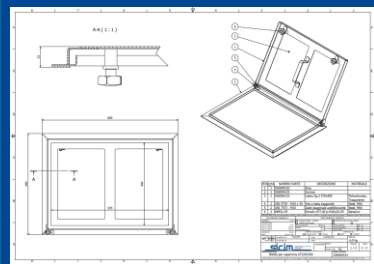
What can we do to remove the hazard at the source?

Simple solution, extraordinary result

The SAFE PROMPTER TRAPDOOR is designed to be installed in the roof of the welding tent and can be opened only from **inside** of the welding tent.



1. The Safe Prompter Trapdoor is perfectly sealed against wind and rain – well-known as not the most favorable elements during welding
2. A ladder of the proper length is **anchored** at the **bottom** and the **top** by means of adjustable tracks
3. The ladder extends outside the Safe Prompter Trapdoor to facilitate the activity of the technician
4. The operation and use of the Safe Trapdoor is also applicable when the tent is positioned on top of the pipe
5. The Safe Prompter Trapdoor is designed to be used on multiple pipe diameters – up to 56”;
6. Quick & easy way to attach and detach the ladder: an average of 22 seconds are required to complete the single operation;



Safe Prompter Trapdoor for Welding Tents

Achievements & Long Term Planning



Main achievements

1	The welding technician and the mechanic are no more required to stay on the top of the welding tent for any activity
2	Very positive feedback from our workers acknowledging this as a safer way to work
3	Easier, quicker and safer way to access to the roof of the welding tent, when necessary
4	Number of W@H activities during welding operation reduced to ZERO
5	ZERO Internal observations recorded for unsafe acts during operations conducted on the top of welding tents

Long Term Planning

- Continuous monitoring of the effectiveness of the Safe Prompter Trapdoor
- Trial test period in different projects with different pipe diameters
- Implement effective solution to safe working on the top of all types of welding tents (Manual & Automatic)
- Tackle other W@H activities in order to find out solutions to avoid any hazardous condition